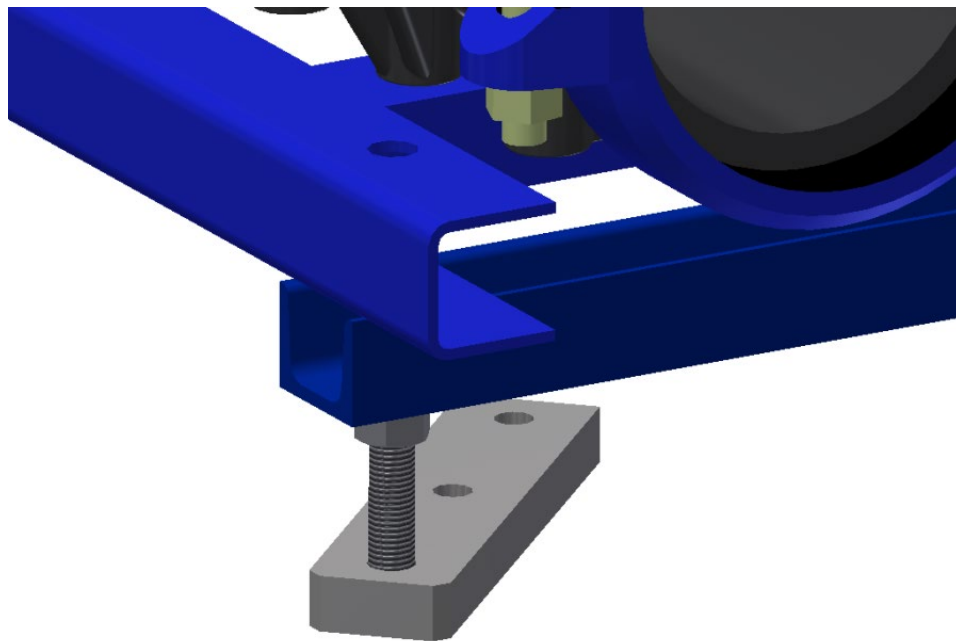




Product Information

DuPont™ IntegraTec™ T-Rack™ Anchoring Plate

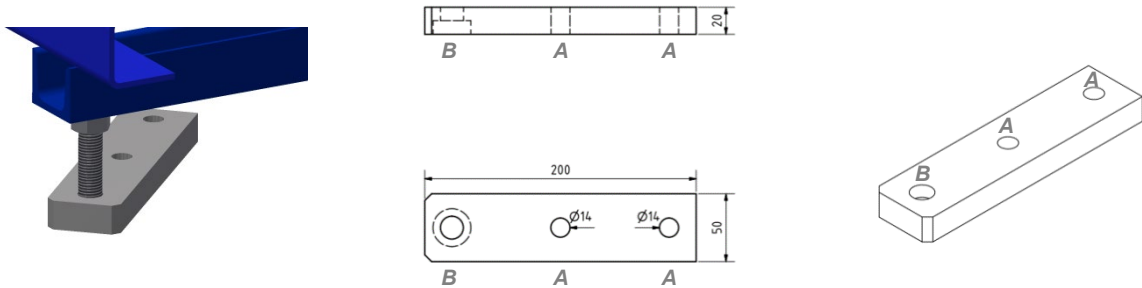


Enhanced Structural Stability for Seismic Zones

The outstanding structural stability of the DuPont™ IntegraTec™ T-Rack™ can be further enhanced with the optional T-Rack™ Anchoring Plate. The T-Rack™ Anchoring Plate provides certified resistance to seismic stress for stationary, land-based water treatment plants in earthquake zones.*

In addition, it can also be utilized as a connecting interface for installations in containerized UF systems.

1 Product Data



Product SKU	T-Rack™ Anchoring Plate SO-0139
Length	200 mm
Width	50 mm
Thickness	20 mm
Material	steel 1.4571 (V4A)
Weight	approx. 1.5 kg
Borehole parameters	
A for ground anchoring equipment - not provided by DuPont™ -	A 14 mm diameter
B for connection to T-Rack™ frame	B original Hexagon bolt (DIN 933) M16 x 150 (1.4401)

The proprietary T-Rack™ Anchoring Plate is designed to work with all 2- or 4-row configurations.

2 Fastening Strategy and Equipment

Due to the project specific nature of seismic aspects, fastening strategy (chemical vs. mechanical) and corresponding equipment cannot be provided by DuPont™. The anchoring approach is to be evaluated and implemented by the system integrator, in due consideration of appropriate project parameters.

All information in this document is subject to technical modifications and change without prior notice. Please contact inge® for additional information.

* A project specific assessment of earthquake load data is recommended, but as a general indication the T-Rack™ Anchoring Plate provides resistance for low to moderate seismic stress. Intermediate and high seismic risk zones – i.e. zones 3 and 4 (UBC 97) – might require a T-Rack™ Seismic Cage solution.



Have a question? Contact us at:

www.dupont.com/water/contact-us

All information set forth herein is for informational purposes only. This information is general information and may differ from that based on actual conditions. Customer is responsible for determining whether products and the information in this document are appropriate for Customer's use and for ensuring that Customer's workplace and disposal practices are in compliance with applicable laws and other government enactments. The product shown in this literature may not be available for sale and/or available in all geographies where DuPont is represented. The claims made may not have been approved for use in all countries. Please note that physical properties may vary depending on certain conditions and while operating conditions stated in this document are intended to lengthen product lifespan and/or improve product performance, it will ultimately depend on actual circumstances and is in no event a guarantee of achieving any specific results. DuPont assumes no obligation or liability for the information in this document. References to "DuPont" or the "Company" mean the DuPont legal entity selling the products to Customer unless otherwise expressly noted. NO WARRANTIES ARE GIVEN; ALL IMPLIED WARRANTIES OF MERCHANTABILITY OR FITNESS FOR A PARTICULAR PURPOSE ARE EXPRESSLY EXCLUDED. No freedom from infringement of any patent or trademark owned by DuPont or others is to be inferred.

© 2022 DuPont. DuPont™, the DuPont Oval Logo, and all trademarks and service marks denoted with ™, SM or ® are owned by affiliates of DuPont de Nemours Inc., unless otherwise noted.